

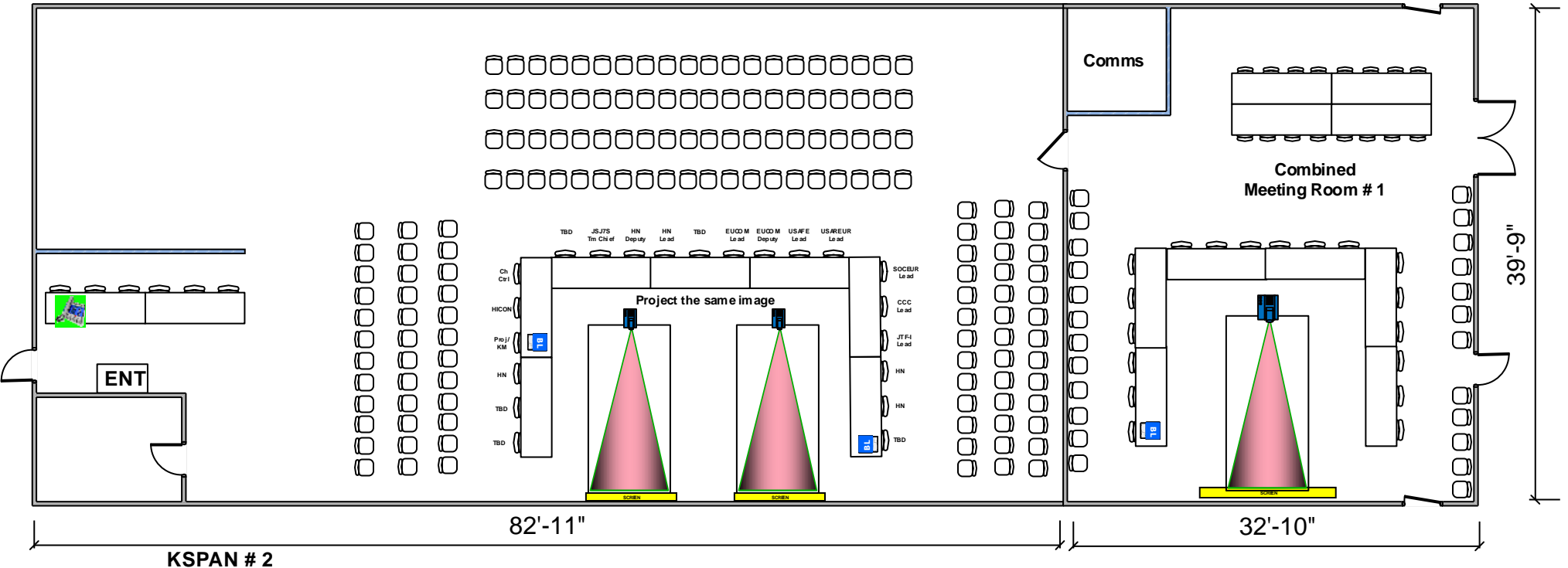
JC20 Proposed MPC Room Builds

(Prefab, KSPAN 1, KSPAN 2)

KSPAN # 1 - CECG

Combined Main Briefing Room

Combined Meeting Room # 1



SIPR - 0	STE - 0	
NIPR - 0	BL VOIP - 0	
BL - 3	Commercial - 0	
HN - 0	SIPR Color Printer - 0	
Ex - 0	BL Color Printer - 0	
	BL B/W Printer - 0	
	Classified Copier - 0	
	Classified Shredder - 0	
	Projector - 3	
Total - 3		

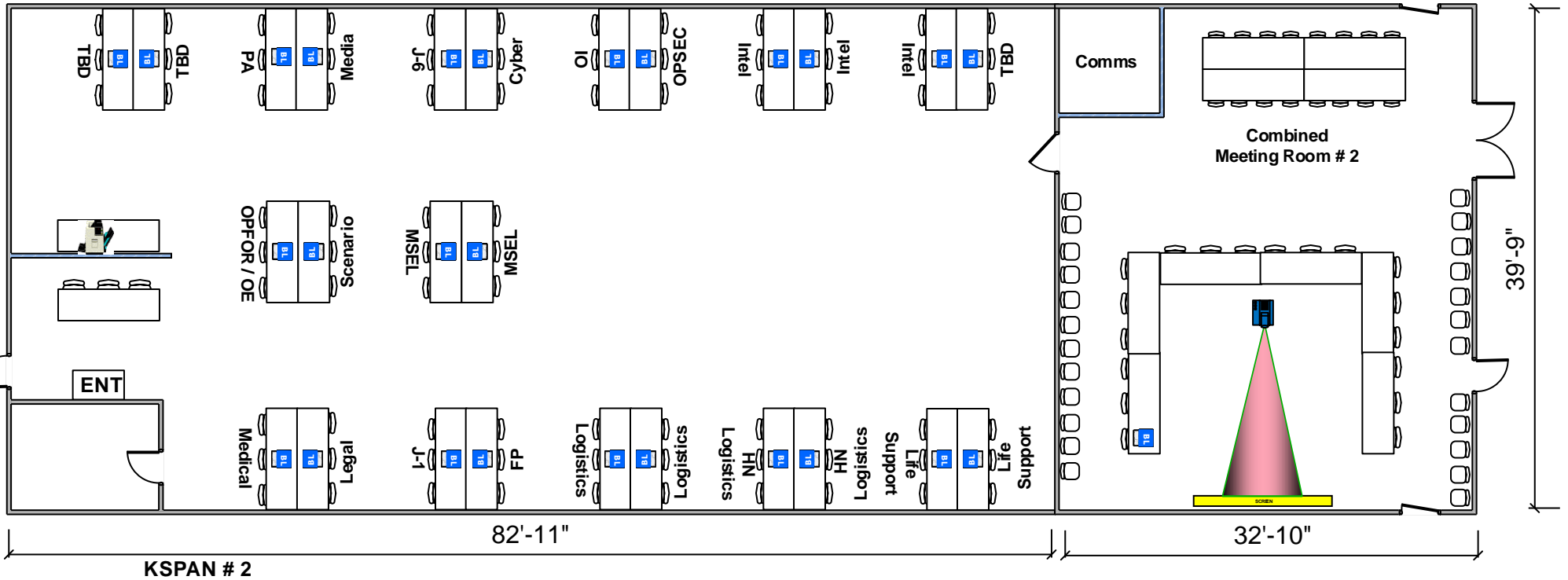
Total - 3

As of 15 Jul 19

KSPAN # 2 - CECG

Combined

Combined Meeting Room # 2



	SIPR - 0		STE	-	0
	NIPR - 0		BL VOIP	-	0
	BL - 27		Commercial	-	0
	HN - 0		SIPR Color Printer	-	0
	Ex - 0		BL Color Printer	-	0
			BL B/W Printer	-	1
			Classified Copier	-	0
			Classified Shredder	-	0
			Projector	-	1

Total - 27

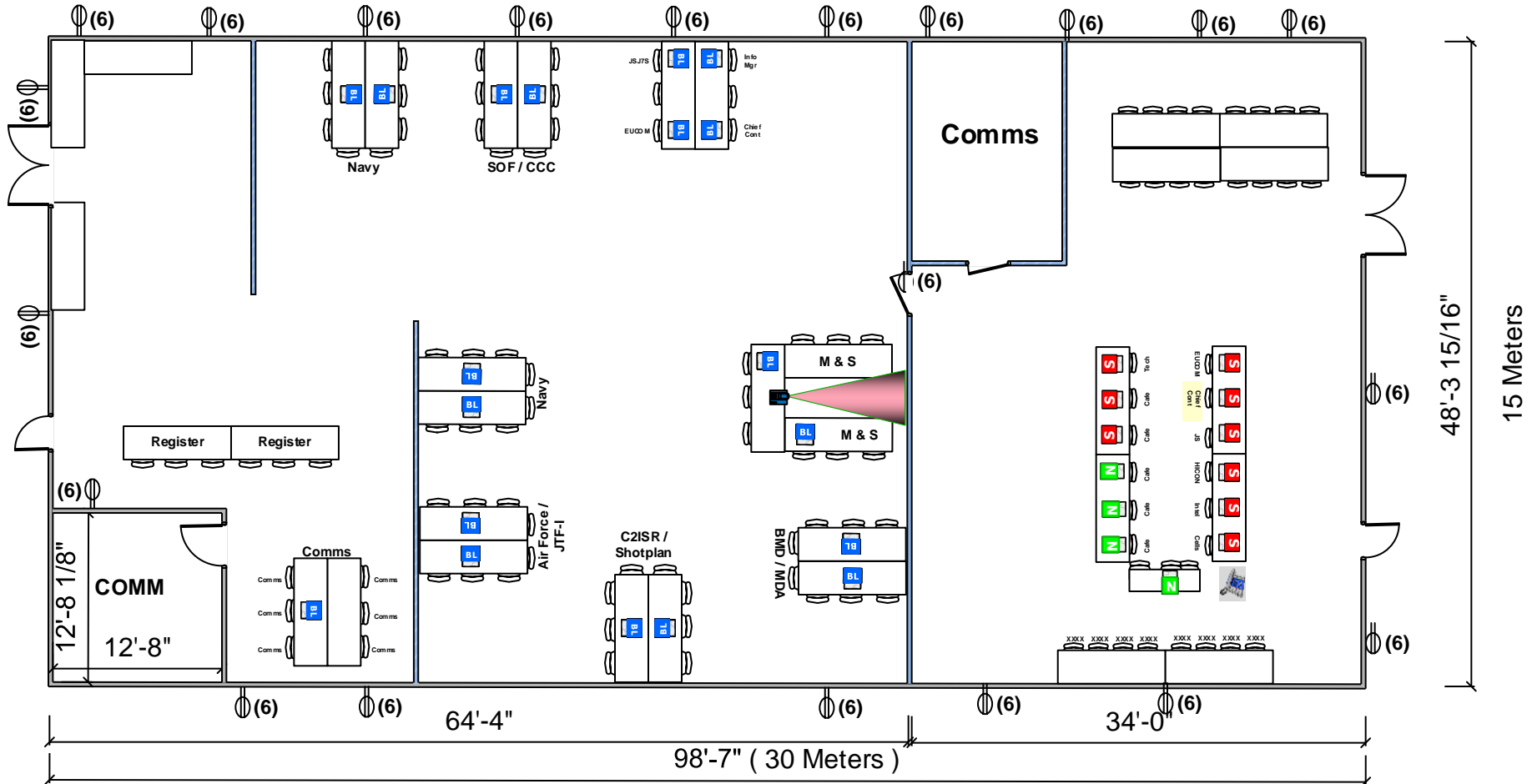
Total - 2

As of 15 Jul 19

Prefab - CECG

Combined

US-only



SIPR - 9	BL VoIP - 0	Link 16 - 0	SIPR Color Printer - 0
NIPR - 4	JTEN VoIP - 0	DIS Drop - 0	SIPR B/W Printer - 0
DSL - 0	SIPR VoIP - 0	MDA LT - 0	BL Color Printer - 0
CNET - 0	CNET VoIP - 0	Projector - 1	BL B/W Print - 0
UNET - 0	DSN - 1		NIPR Color Printer - 0
BL - 19	COMM - 0		NIPR B/W Printer - 0
HN - 0	Local - 0		DSL B/W Printer - 0
EX - 0	STE - 0		Classified Copier - 0
AWSIM - 0	Tandberg - 0		Classified Shredder - 0
JCATS - 0	Tandberg - 0		
CSI - 0	HN VoIP - 0		
RGI - 0	VOISUS - 0		
MDA - 0			
LTIU - 0			
HTIU - 0			
TDACS - 0			
AEGIS - 0			
Total - 32	Total - 0	Total - 1	Total - 0

As of 15 Jul 19